

THIS DRAWING IS UNPUBLISHED.

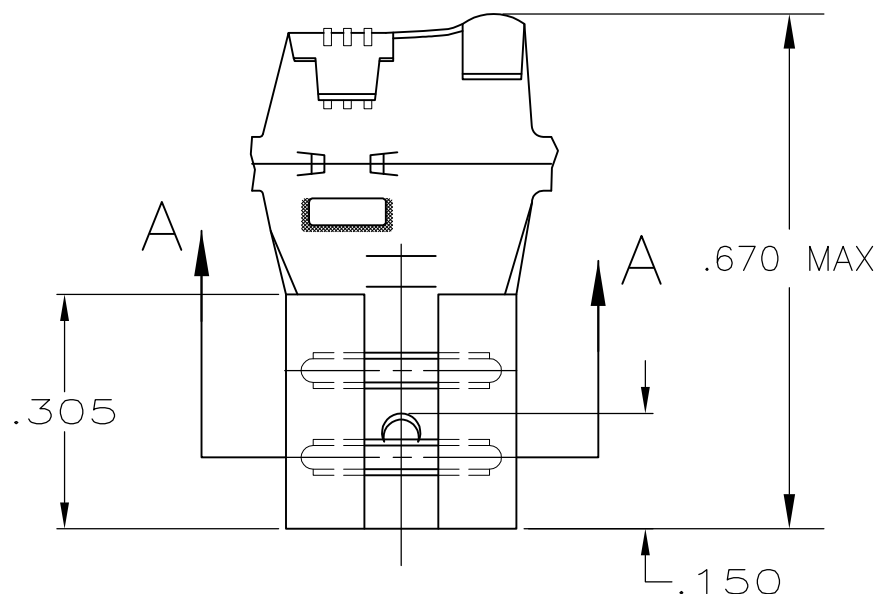
RELEASED FOR PUBLICATION

---

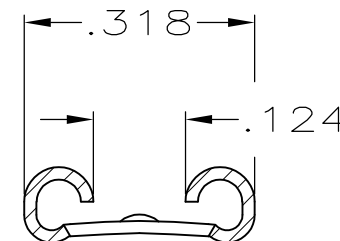
© COPYRIGHT - By -

ALL RIGHTS RESERVED.

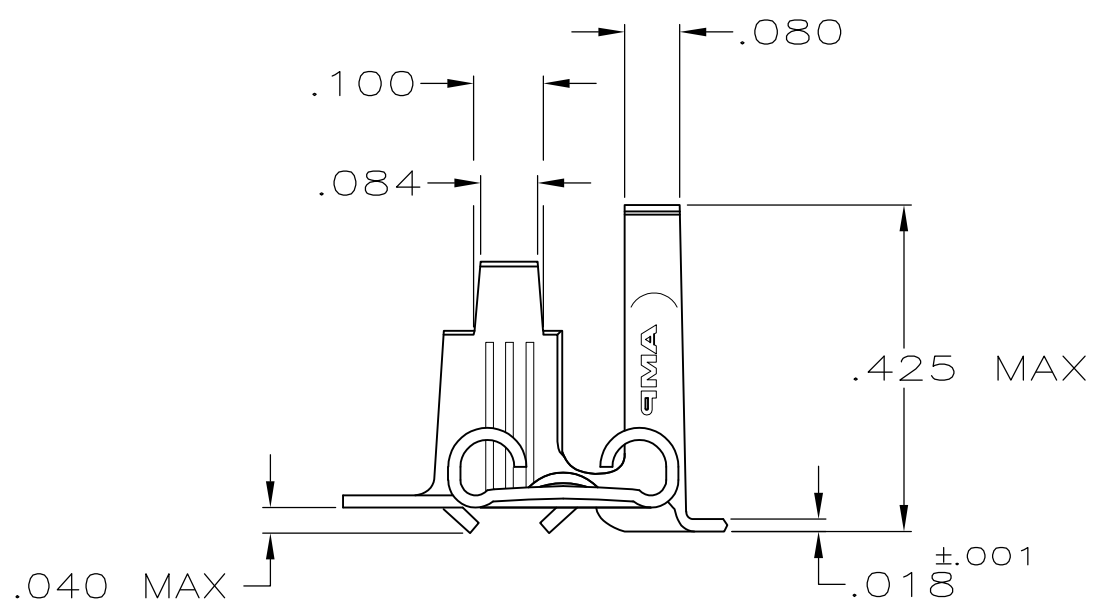
LOC	DIST	REVISIONS					
		P	LTR	DESCRIPTION	DATE	DWN	APVD
AF	50		M1	REVISED PER ECO-13-001206	23JAN13	JR	PD
			M2	ECR-14-007025	13MAY2014	D.L	T.D
			M3	ECR-14-015179	17OCT2014	D.L	T.D



- 1 CONTINUOUS STRIP ON REELS
- 2 WIRE SIZE IS 18-12 AWG
- 3 INSULATION RANGE IS .110-.210 DIA
- 4 MATING TAB THK IS .032±.001
- 5 OBSOLETE PARTS: OBSOLETE CIS STREAMLINING PER D.RENAUD/D.SINISI



SECTION A-A



	FINISH	MATERIAL	PART NO
(M2)	TIN .000080 MIN	T4 BRASS	60274-5
(M3)	OBSOLETE TIN .000080 MIN	T4 BRASS	60274-4
(5)	OBSOLETE SILVER	T3 PHOS BRZ	60274-3
	TIN	T3 PHOS BRZ	60274-2
	OBSOLETE -	T3 PHOS BRZ	60274-1

THIS DRAWING IS A CONTROLLED DOCUMENT.		DWN	JR RUTH	6/7/91	<b>STE</b> TE Connectivity														
DIMENSIONS: INCHES		CHK	MS FEHER	6/7/91				RECEPTACLE, FASTON, FLAG, LEFT HAND, .250 SERIES											
TOLERANCES UNLESS OTHERWISE SPECIFIED:		APVD	R REINER	6/7/91	NAME														
<table border="0"> <tr><td>0 PLC</td><td>± -</td></tr> <tr><td>1 PLC</td><td>± -</td></tr> <tr><td>2 PLC</td><td>± -</td></tr> <tr><td>3 PLC</td><td>± .015</td></tr> <tr><td>4 PLC</td><td>± -</td></tr> <tr><td>ANGLES</td><td>± -</td></tr> </table>		0 PLC	± -	1 PLC	± -	2 PLC	± -	3 PLC	± .015	4 PLC	± -	ANGLES	± -	PRODUCT SPEC		-			
0 PLC	± -																		
1 PLC	± -																		
2 PLC	± -																		
3 PLC	± .015																		
4 PLC	± -																		
ANGLES	± -																		
MATERIAL SEE TABLE		APPLICATION SPEC		-		SIZE	A3												
FINISH SEE TABLE		WEIGHT		-		CAGE CODE	00779												
		CUSTOMER DRAWING		DRAWING NO		C=	60274												
				RESTRICTED TO		-													
				SCALE		4:1													
				SHEET		1 OF 1													
				REV		M3													